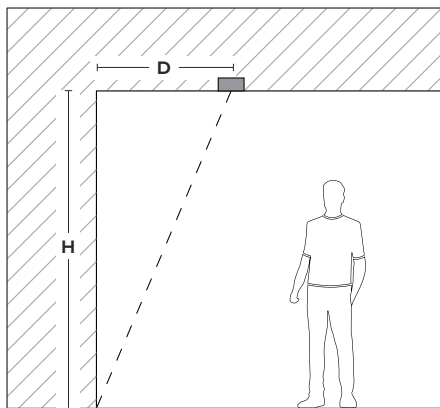




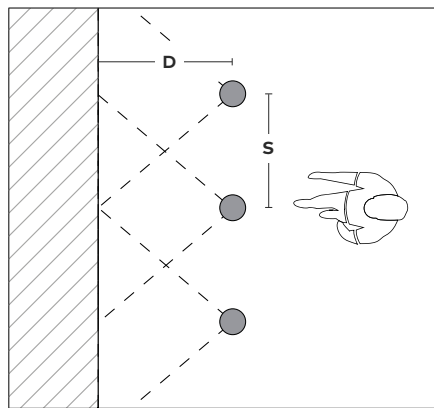
Vertical Spacing



Distance from wall (D) = 1/3 height of ceiling (H)

To create a uniform distribution vertically up and down the wall, it is recommended to place the luminaire at 1/3 of the height of the ceiling, away from the wall.

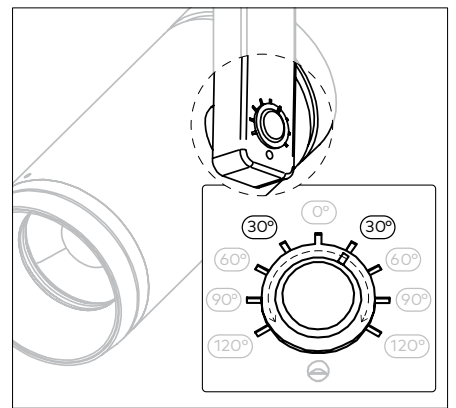
Horizontal Spacing



Spacing (S) ≤ Distance from wall (D)

To ensure the best uniformity across the wall, the spacing between each luminaire is recommended to be equal to or less than the distance from the wall. If a higher illumination is required, space the luminaires closer to each other.

Adjustable Tilt



Tilt = 30° - 40°

For adjustable wallwashers such as the ION S Spotlight, to ensure the best results for vertical uniformity tilt the wallwasher to 30°. Each notch indicates every 30° of tilt. The wallwasher can be tilted up to 40° depending on user preference.

Wallwasher Products

ION R Series

unios.com/ionr



ION S Series

unios.com/ions



FX Wallwasher

unios.com/fxwallwasher

